

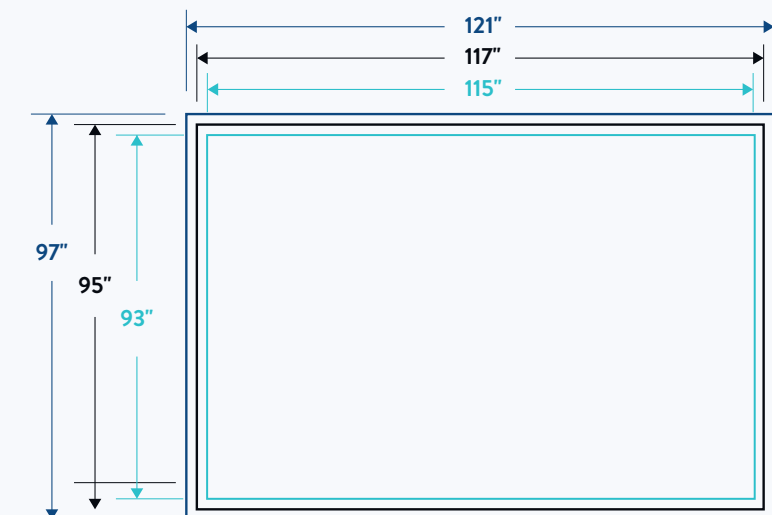
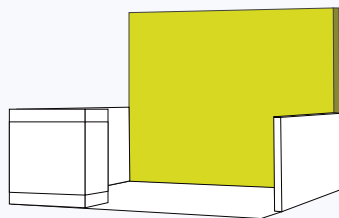
# Design Guidelines

Please use the following guidelines when creating your artwork files.



## Bleed

Your transferred piece is larger on each side to ensure your printed graphics will “bleed” off from the edge of your printed design when it is cut to its final size.

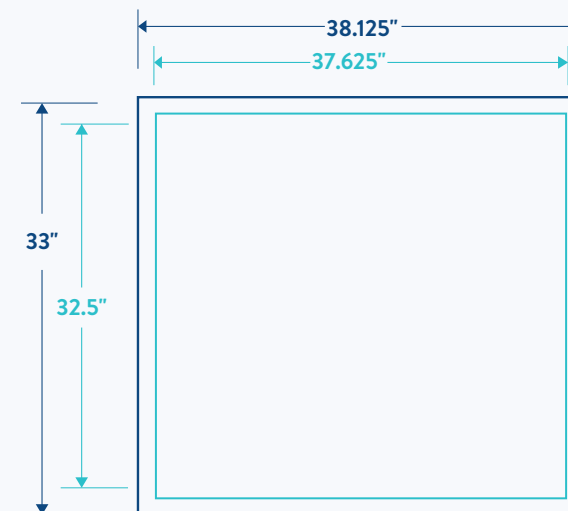
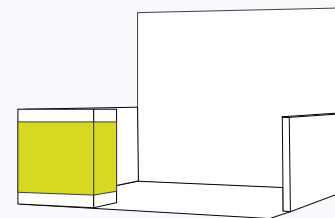


## Trim

The trim size is the visible viewing area of the final assembled piece.

## Safety

Safety is at least 2" of space measured inward from the trim size. Which ensures important text and/or type is not cut off. Simply drag guides inward on your design. Make sure that you do not allow any important text or graphics to extend beyond those guides.



**BLEED**  
Extend Graphics to this point

**TRIM**  
Finished Size

**SAFETY**  
No important text beyond this point